

---

## ACM300T High Temperature Pressure Transmitter



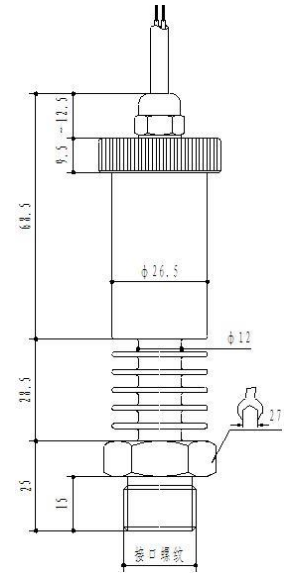
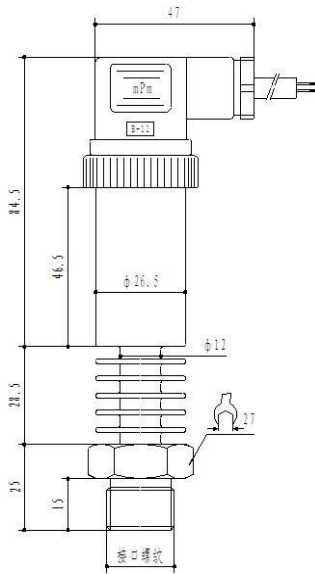
- 316L stainless steel isolation diaphragm structure
- Imported high temperature resistant chip
- Wide range of applicable medium temperature
- Strong anti-interference ability and long-term stability
- Direct contact for measurement of high temperature medium, improving pressure response frequency
- Rich pressure ranges provided, including low, medium and high pressure ranges
- Anti-vibration, shock resistant and corrosion resistant

ACM300T High Temperature Pressure Transmitter uses high temperature resistant pressure sensor as the signal measuring element. The pressure of measured medium is transmitted to the sensor through heat dissipation structure. The high precision signal processing circuit is located inside the stainless steel shell, converting the output signal of the sensor to standard output signal. The product has passed rigorous tests and aging screening of the components, semi-finished products and finished products. The performance is stable and reliable, enabling long-term stability when used in the pressure measurement of high temperature medium.

Pressure range	
Pressure range	-100KPa, 10KPa, 35KPa, 70KPa, 100KPa, 250KPa, 400KPa, 600KPa, 1MPa, 1.6MPa, 2.5MPa, 4MPa, 6MPa, 10MPa, 16MPa, 25MPa, 40MPa, 60MPa, 100MPa
Pressure reference	Gauge pressure   Absolute pressure   Sealed gauge pressure
Overpressure	200%F.S.
Output signal	
Output	4 to 20mA   0.5 to 4.5V   1 to 5V   0 to 5V
Specification	
Accuracy (linearity, repeatability and hysteresis)	±0.5%F.S.   ±0.3%F.S.
Excitation	24VDC   12VDC   5VDC
Operating temp.	-40°C - 125°C
Medium temp.	-20°C - 150°C   -20°C - 300°C
Storage temp.	-40°C - 125°C
Zero temp. coefficient	±1.5%F.S.max.(@-20°C - 85° C)
Span temp. coefficient	±1.5%F.S.max.(@-20°C - 85° C)
Pressure connection	see last page "how to order"
Mechanical vibration	20g(20 to 5000HZ)
Shock	100g(11ms)
Insulation	100MΩ/250VDC
Response time	≤1ms(up to 90%FS)
Long term stability	≤0.2%F.S.S/year
Protection	IP65
Ex-proof	EXIA II CT6
Material	Stainless steel for shell, 316L for isolation diaphragm
Medium compatibility	Various liquids or gases compatible with the isolation diaphragm

<p><b>Medium temp</b>                  -20-150°C                  (3 cooling fins)</p>	<p><b>Dimension</b>                  in mm</p>	<p><b>J5: DIN43650</b></p>	<p><b>J15: Cable outlet</b></p>
	<p><b>Current</b>                  (2 wire)</p>	<p>Red: +Excitation                  Green: Output</p>	<p>Red: +Excitation                  Green: Output</p>
	<p><b>Voltage</b>                  (3 wire)</p>	<p>Red: +Excitation                  Blue: Ground                  Yellow: Output</p>	<p>Red: +Excitation                  Blue: Ground                  Yellow: Output</p>

Medium temp	Dimension	J5: <del>DIN</del> 43650	J6: Cable outlet
-------------	-----------	--------------------------	------------------



Current  
(2 wire)

Red: +Excitation  
Green: Output

Red: +Excitation  
Green: Output

Voltage  
(3 wire)

Red: +Excitation  
Blue: Ground  
Yellow: Output

Red: +Excitation  
Blue: Ground  
Yellow: Output

## How to order

